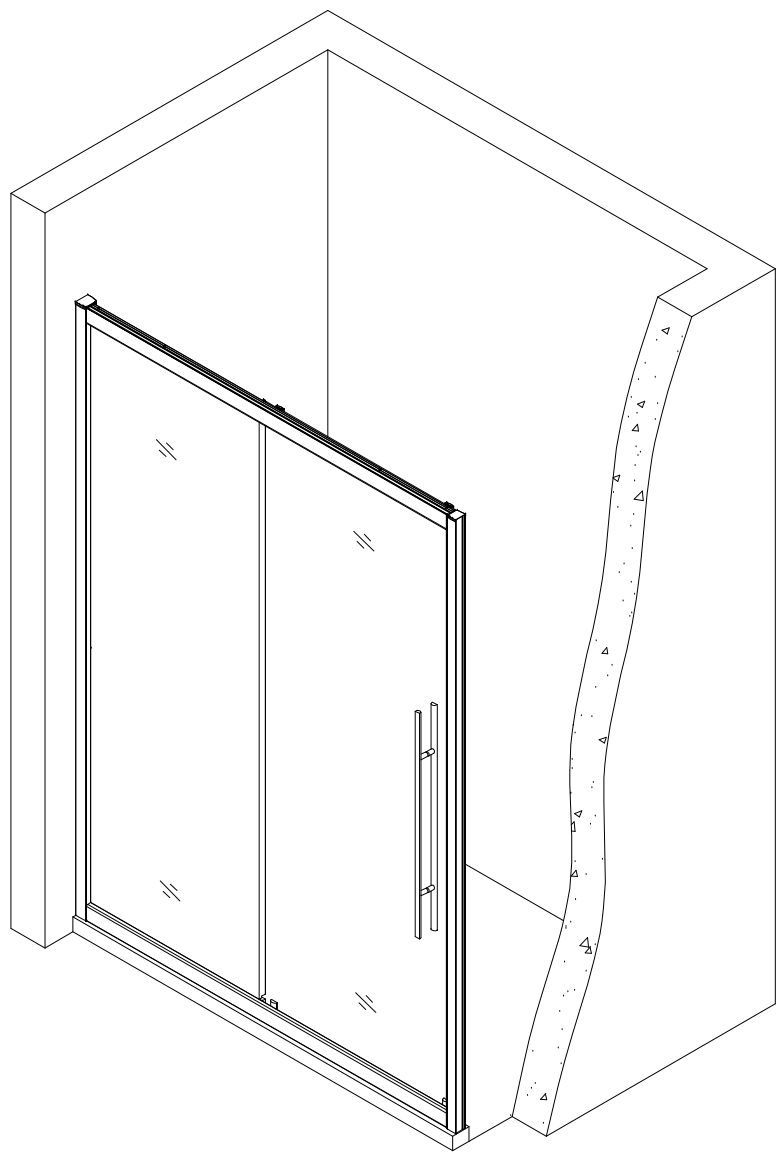
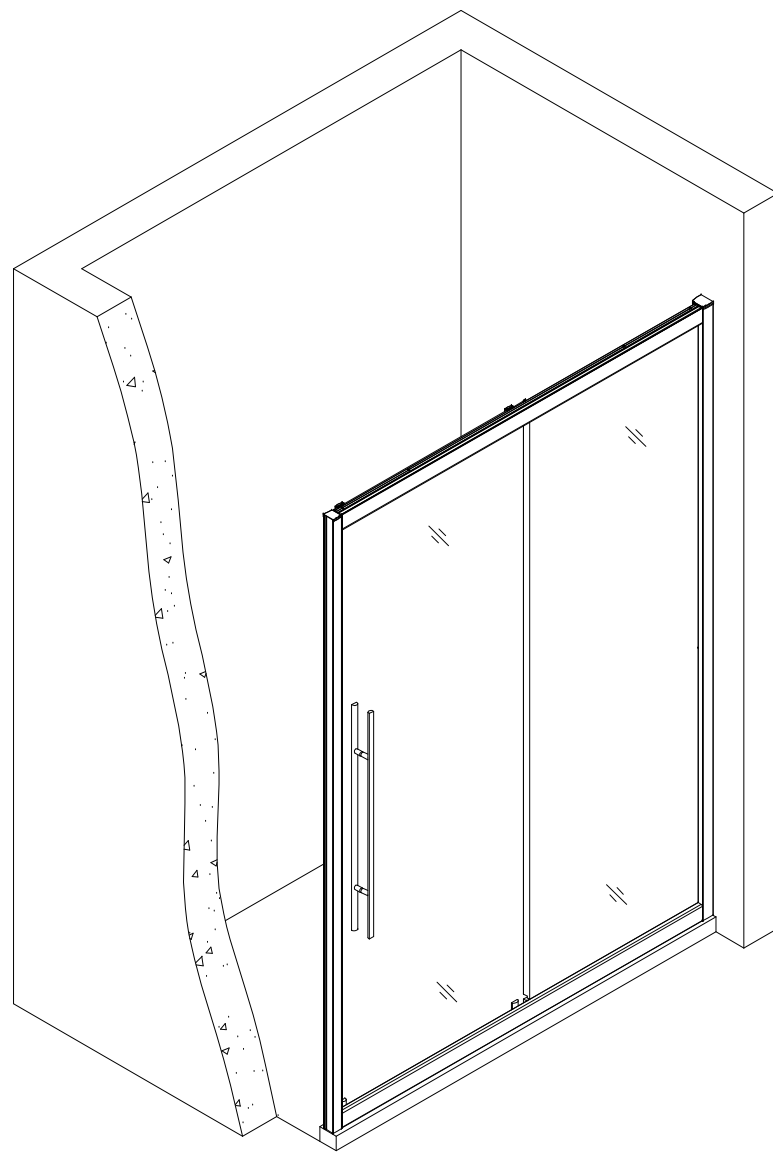
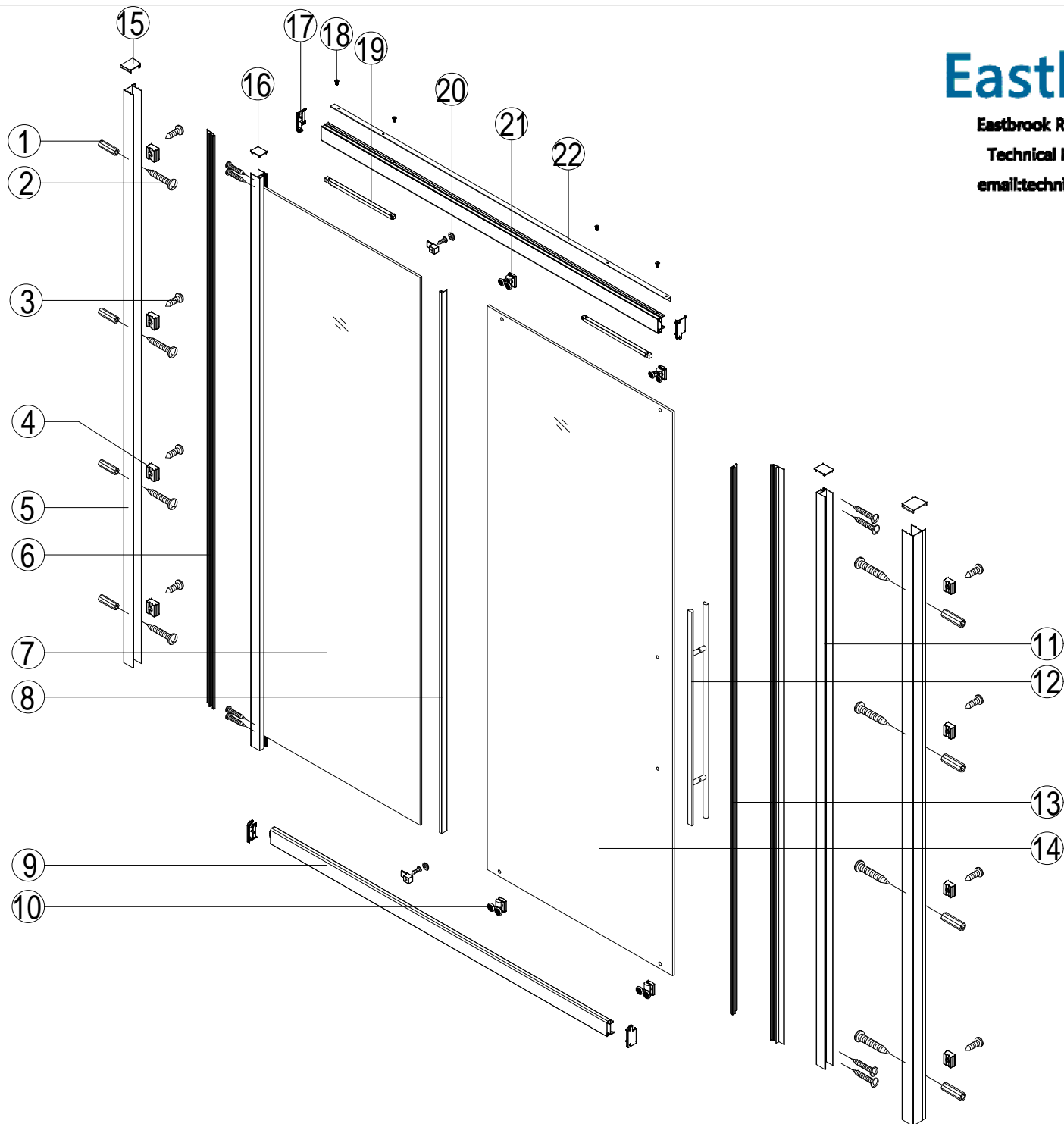


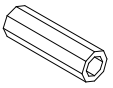
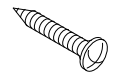
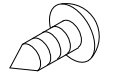
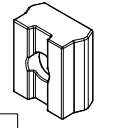
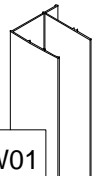
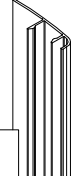
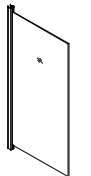

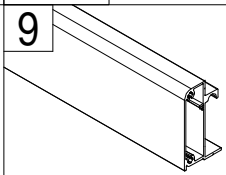
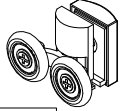


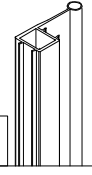
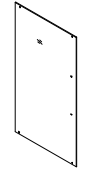
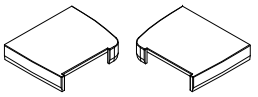
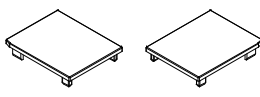
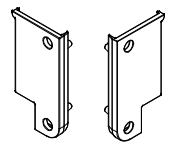
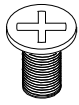
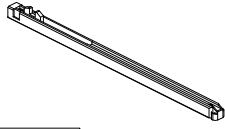
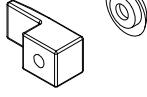
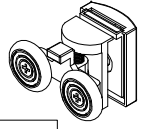
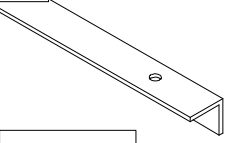
L

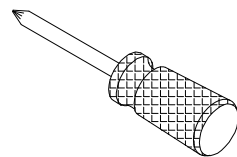
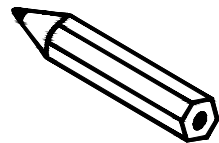
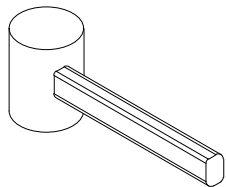
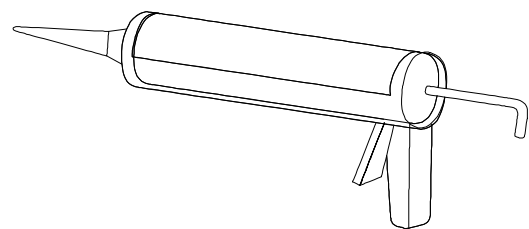


R

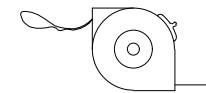
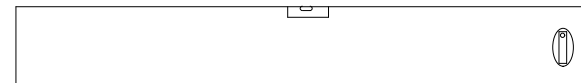
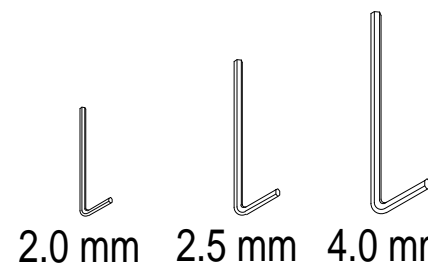
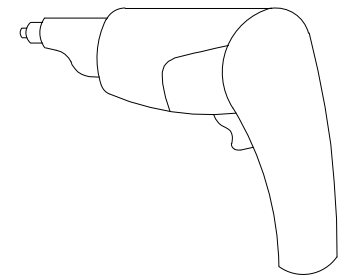


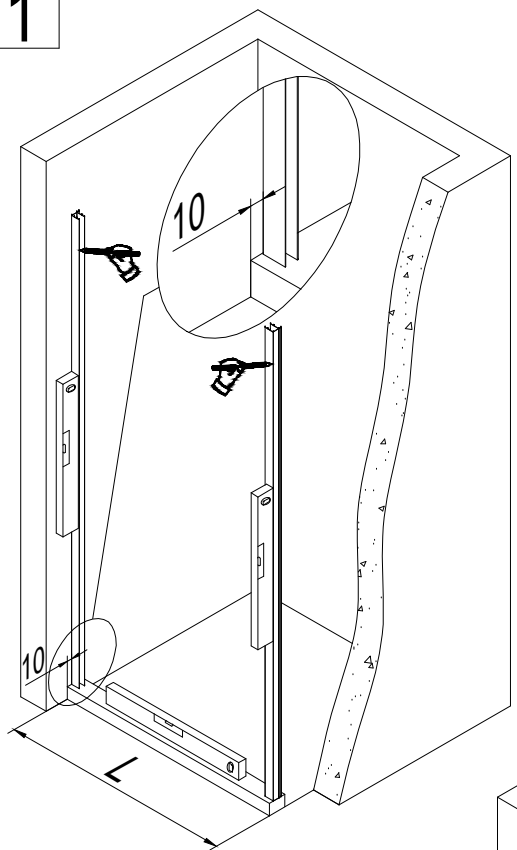


1  D6x30 8Pcs	2  ST4X30 16Pcs	3  ST4X12 10Pcs	4  JRF-6Y01 8Pcs	5  JRF-8W01 2Pcs	6  JRF-6C1 2Pcs	7  1Pcs																																																
8  51CRF-8Z12 1Pcs	9  51JRF-8W07 2Pcs	10  51JRF-8D02 2Pcs	11  51JRF-8W06 1Pcs	12  JRF-6X04 1Pcs	13  51CRF-8Z13 1Pcs	14  1Pcs																																																
15 L R  JRF-8S01 2Pcs	16 L R  JRF-8S03 2Pcs	17  JRF-8S04 2Pairs	18  M4X12 4Pcs	19  51JRF-8D04 2Pcs	20  51JRF-8D05 2Pcs	21  51JRF-8D03 2Pcs																																																
22  51JRF-8W08 1Pcs	<table border="1"> <tr> <td></td> <td>1000*2000</td> <td>1100*2000</td> <td>1200*2000</td> <td>1300*2000</td> <td>1400*2000</td> <td></td> <td>1000*2000</td> <td>1100*2000</td> <td>1200*2000</td> <td>1300*2000</td> <td>1400*2000</td> </tr> <tr> <td>⑨</td> <td>51JRF-8W07-1000</td> <td>51JRF-8W07-1100</td> <td>51JRF-8W07-1200</td> <td>51JRF-8W07-1300</td> <td>51JRF-8W07-1400</td> <td>②②</td> <td>51JRF-8W08-1000</td> <td>51JRF-8W08-1100</td> <td>51JRF-8W08-1200</td> <td>51JRF-8W08-1300</td> <td>51JRF-8W08-1400</td> </tr> <tr> <td></td> <td>1500*2000</td> <td>1600*2000</td> <td>1650*2000</td> <td>1700*2000</td> <td></td> <td></td> <td>1500*2000</td> <td>1600*2000</td> <td>1650*2000</td> <td>1700*2000</td> <td></td> </tr> <tr> <td>⑨</td> <td>51JRF-8W07-1500</td> <td>51JRF-8W07-1600</td> <td>51JRF-8W07-1650</td> <td>51JRF-8W07-1700</td> <td></td> <td>②②</td> <td>51JRF-8W08-1500</td> <td>51JRF-8W08-1600</td> <td>51JRF-8W08-1650</td> <td>51JRF-8W08-1700</td> <td></td> </tr> </table>					1000*2000	1100*2000	1200*2000	1300*2000	1400*2000		1000*2000	1100*2000	1200*2000	1300*2000	1400*2000	⑨	51JRF-8W07-1000	51JRF-8W07-1100	51JRF-8W07-1200	51JRF-8W07-1300	51JRF-8W07-1400	②②	51JRF-8W08-1000	51JRF-8W08-1100	51JRF-8W08-1200	51JRF-8W08-1300	51JRF-8W08-1400		1500*2000	1600*2000	1650*2000	1700*2000			1500*2000	1600*2000	1650*2000	1700*2000		⑨	51JRF-8W07-1500	51JRF-8W07-1600	51JRF-8W07-1650	51JRF-8W07-1700		②②	51JRF-8W08-1500	51JRF-8W08-1600	51JRF-8W08-1650	51JRF-8W08-1700			
	1000*2000	1100*2000	1200*2000	1300*2000	1400*2000		1000*2000	1100*2000	1200*2000	1300*2000	1400*2000																																											
⑨	51JRF-8W07-1000	51JRF-8W07-1100	51JRF-8W07-1200	51JRF-8W07-1300	51JRF-8W07-1400	②②	51JRF-8W08-1000	51JRF-8W08-1100	51JRF-8W08-1200	51JRF-8W08-1300	51JRF-8W08-1400																																											
	1500*2000	1600*2000	1650*2000	1700*2000			1500*2000	1600*2000	1650*2000	1700*2000																																												
⑨	51JRF-8W07-1500	51JRF-8W07-1600	51JRF-8W07-1650	51JRF-8W07-1700		②②	51JRF-8W08-1500	51JRF-8W08-1600	51JRF-8W08-1650	51JRF-8W08-1700																																												

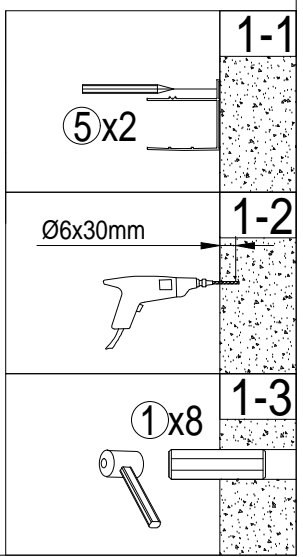
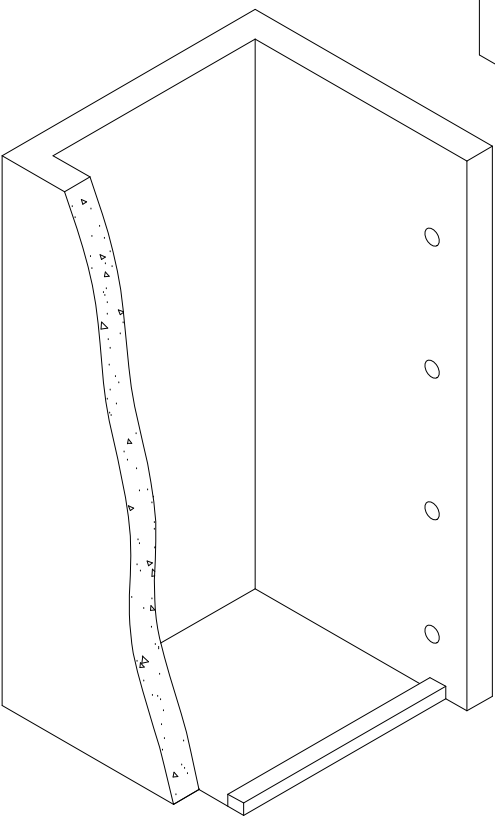
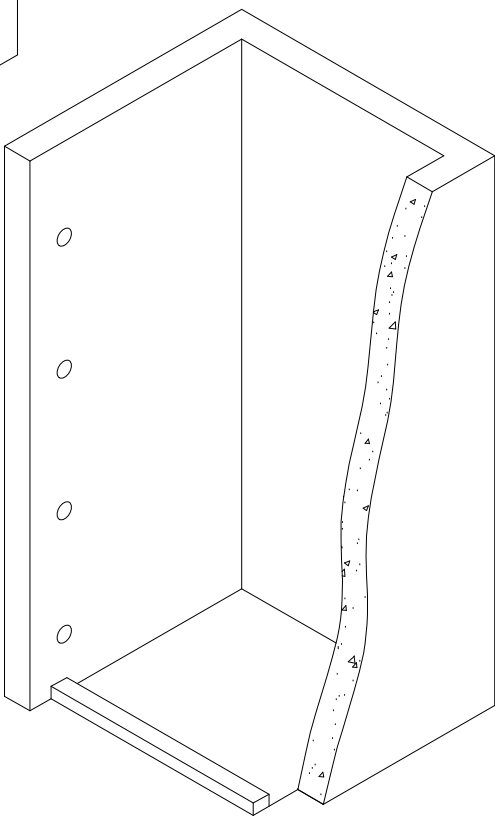
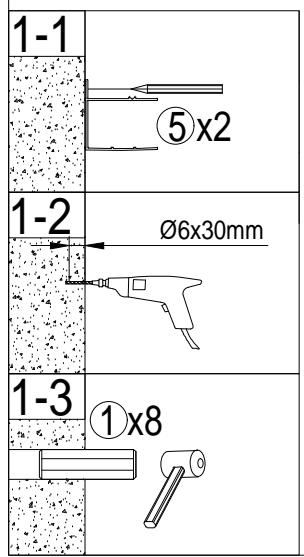
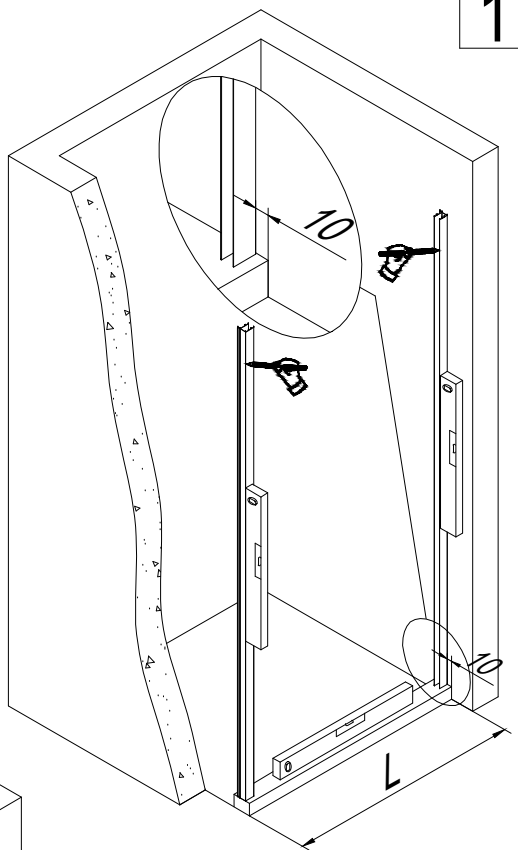


Ø6mm

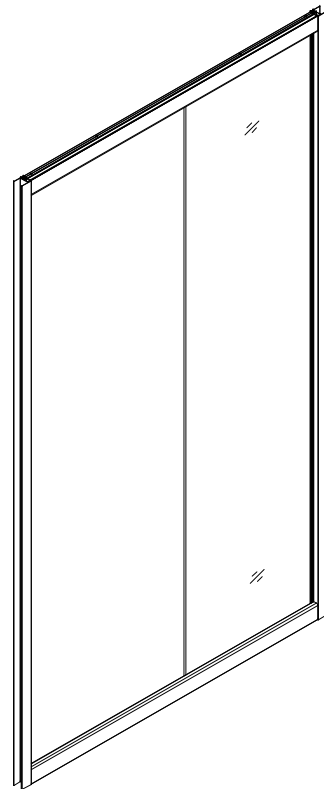
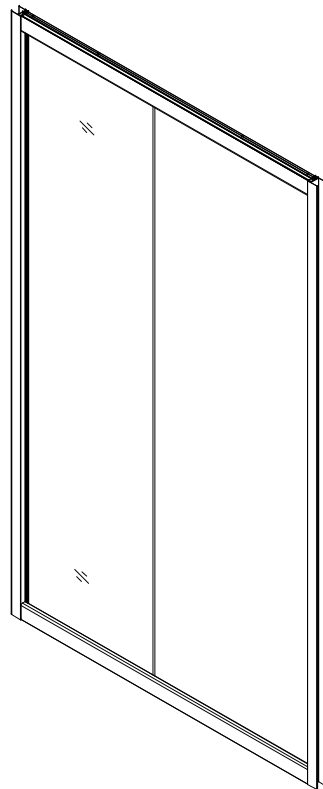
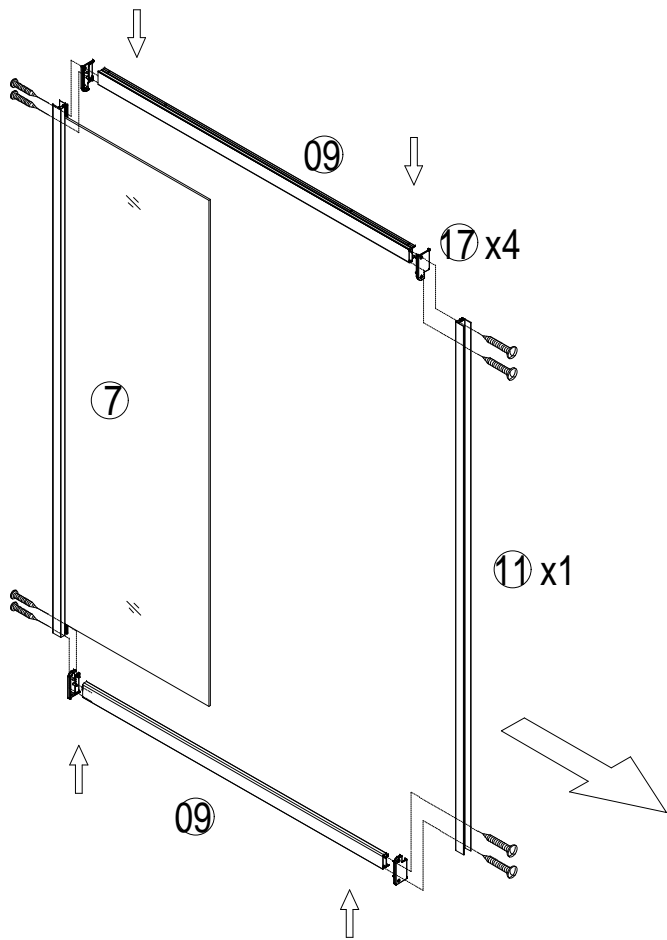


1

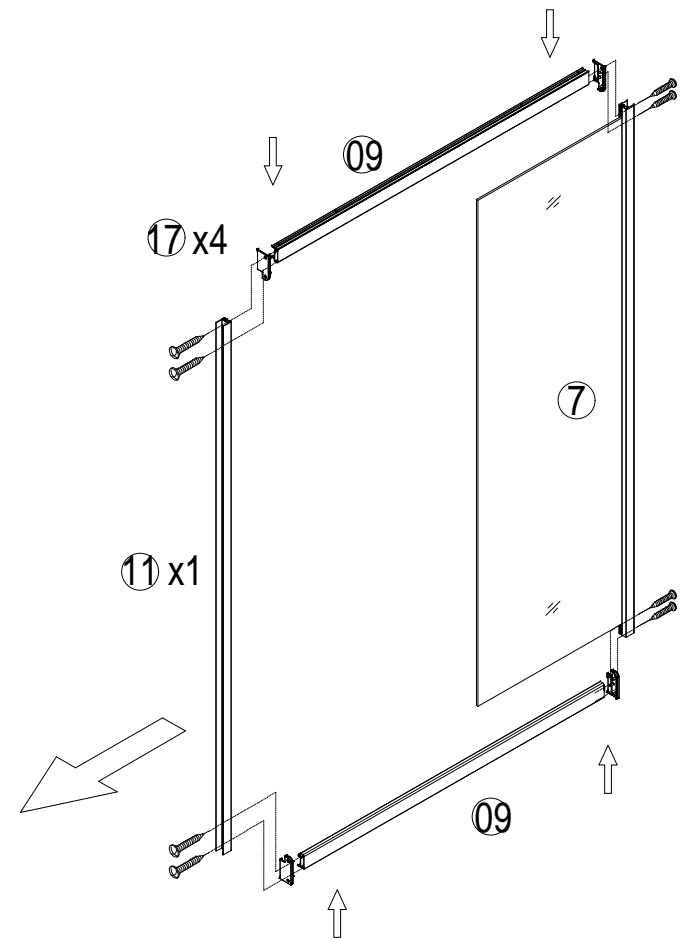
	L		L
1000	950-990	1000	950-990
1100	1050-1090	1100	1050-1090
1200	1150-1190	1200	1150-1190
1300	1250-1290	1300	1250-1290
1400	1350-1390	1400	1350-1390
1500	1450-1490	1500	1450-1490
1600	1550-1590	1600	1550-1590
1650	1600-1640	1650	1600-1640
1700	1650-1690	1700	1650-1690

1

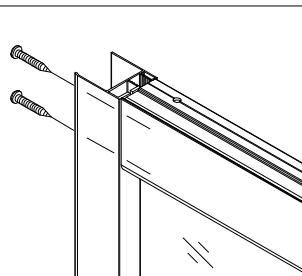
2



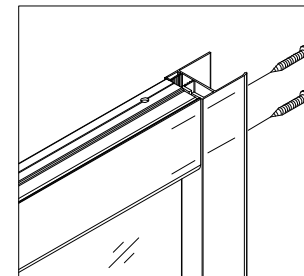
2



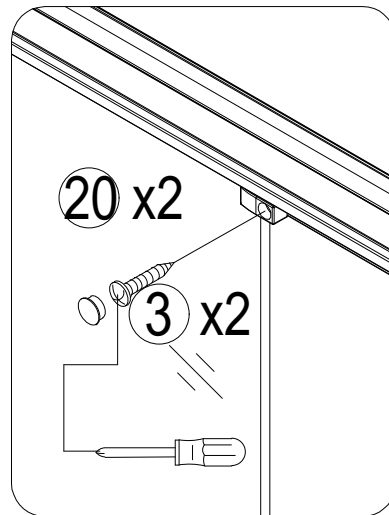
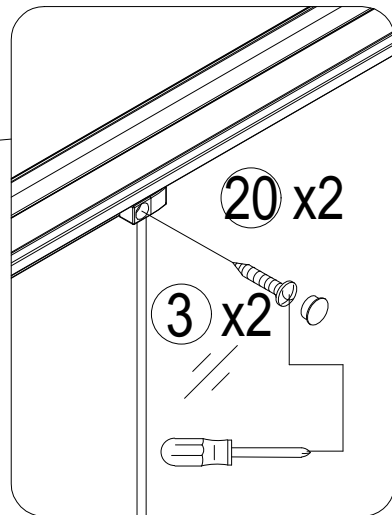
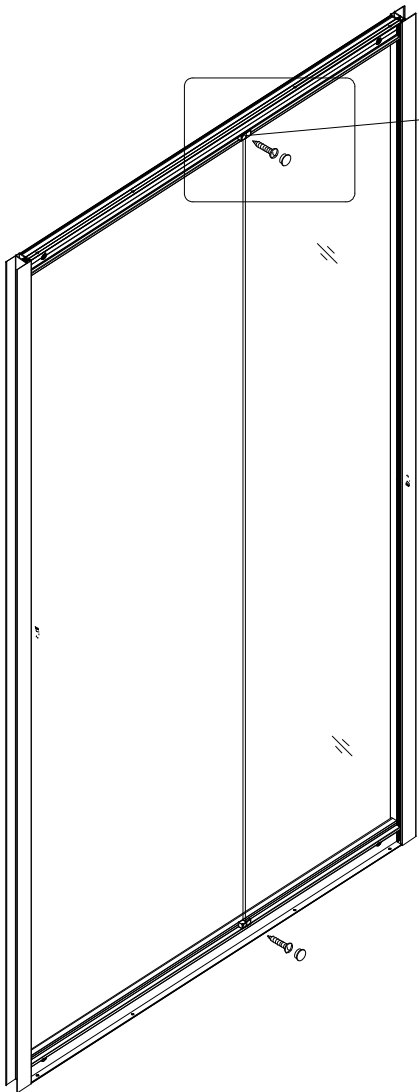
2-1



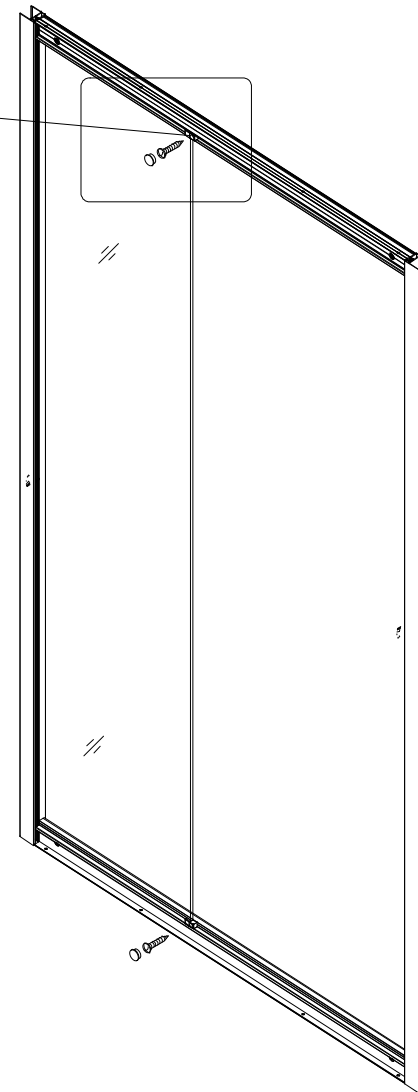
2-1



3

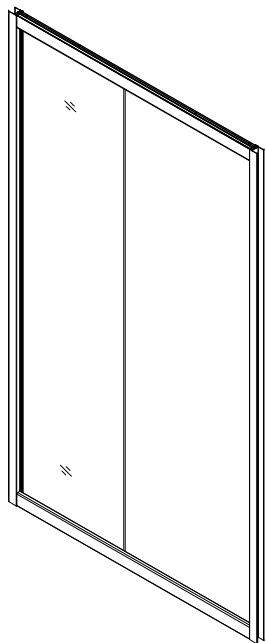


3

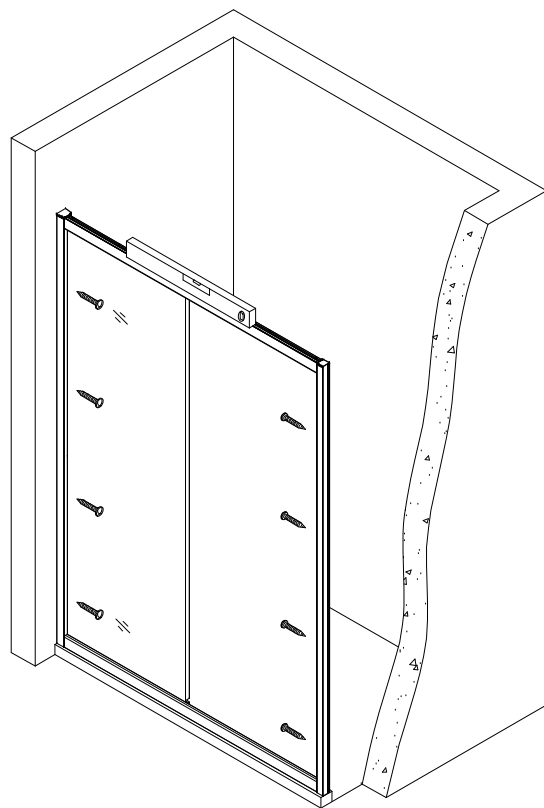


4

5

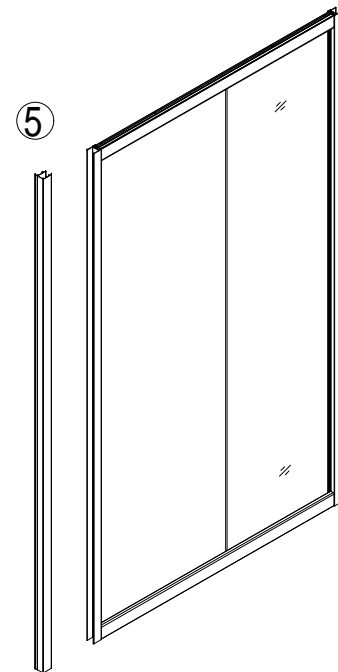


5

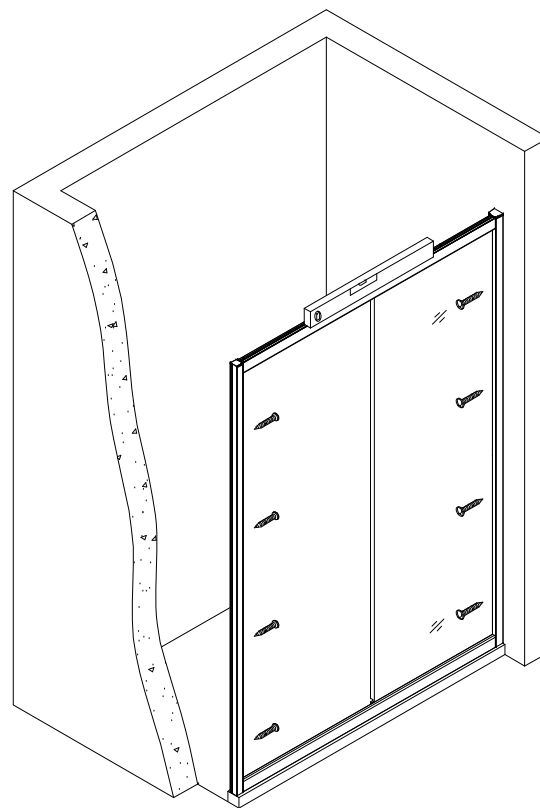


4

5



5



4-1

2x8

Inside

Outside

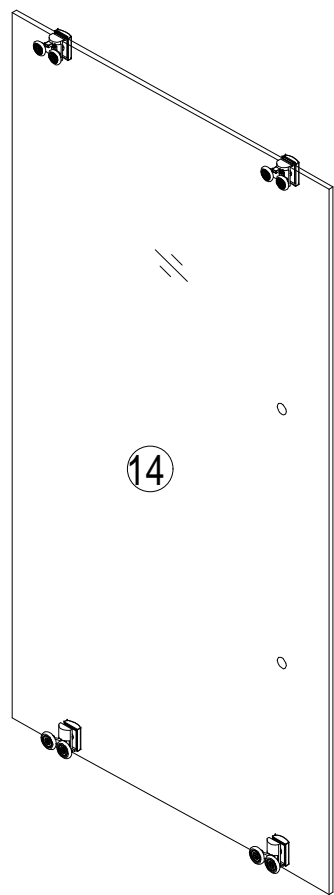
Inside

2x8

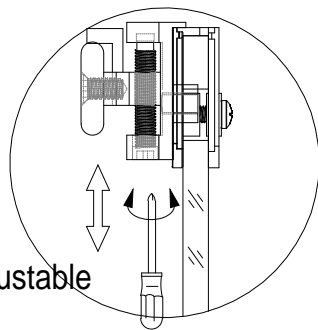
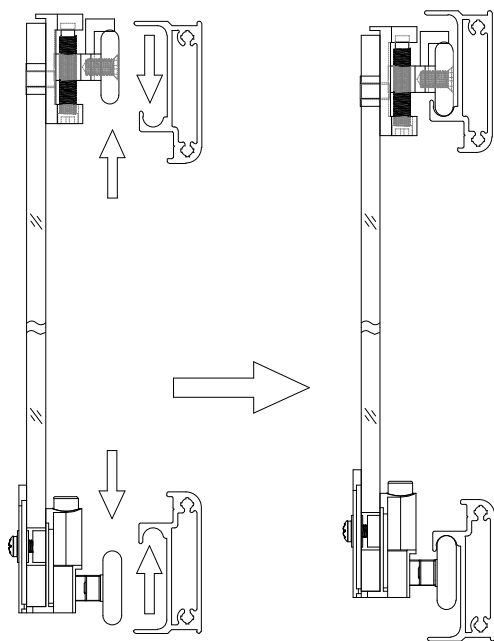
Outside

4-1

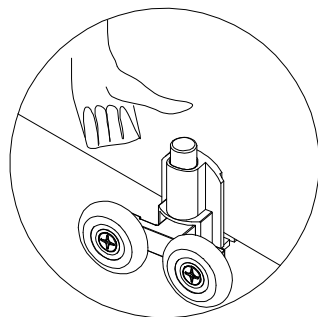
5



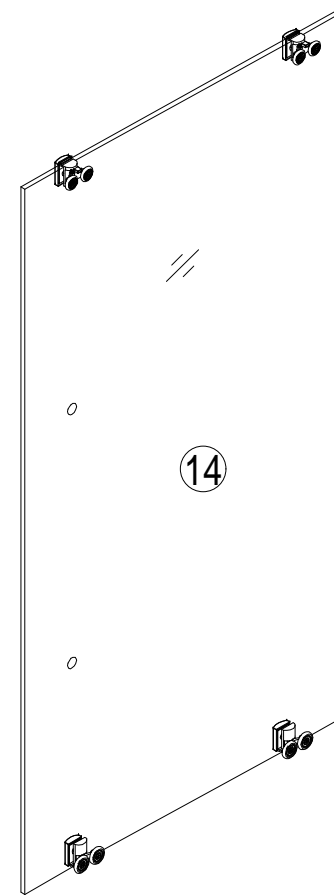
14



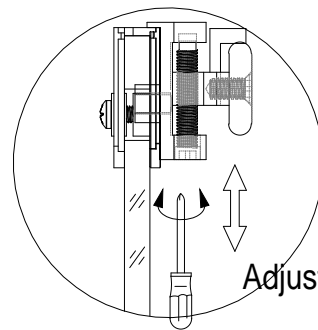
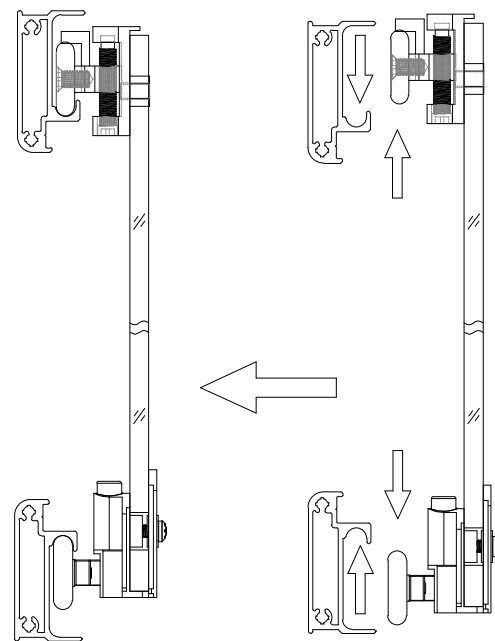
Adjustable



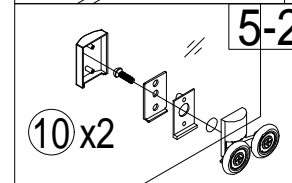
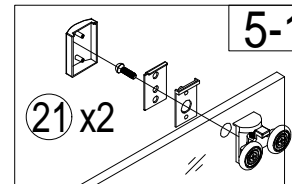
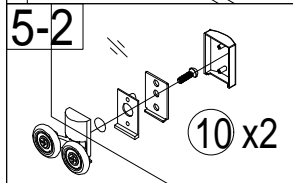
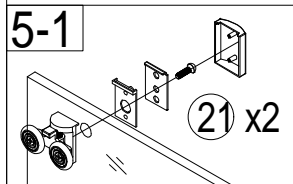
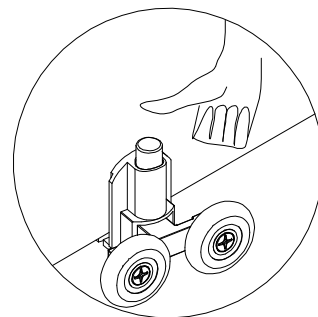
5



14

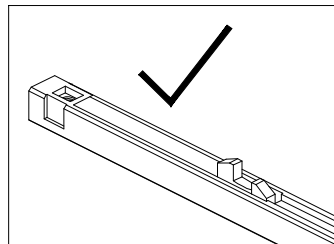
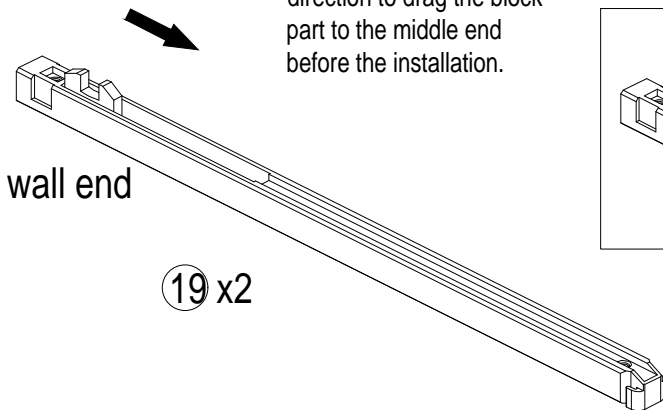


Adjustable



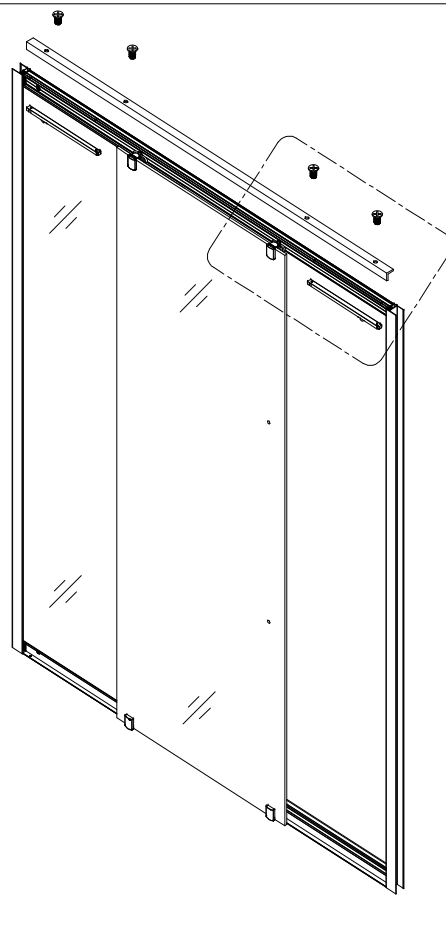
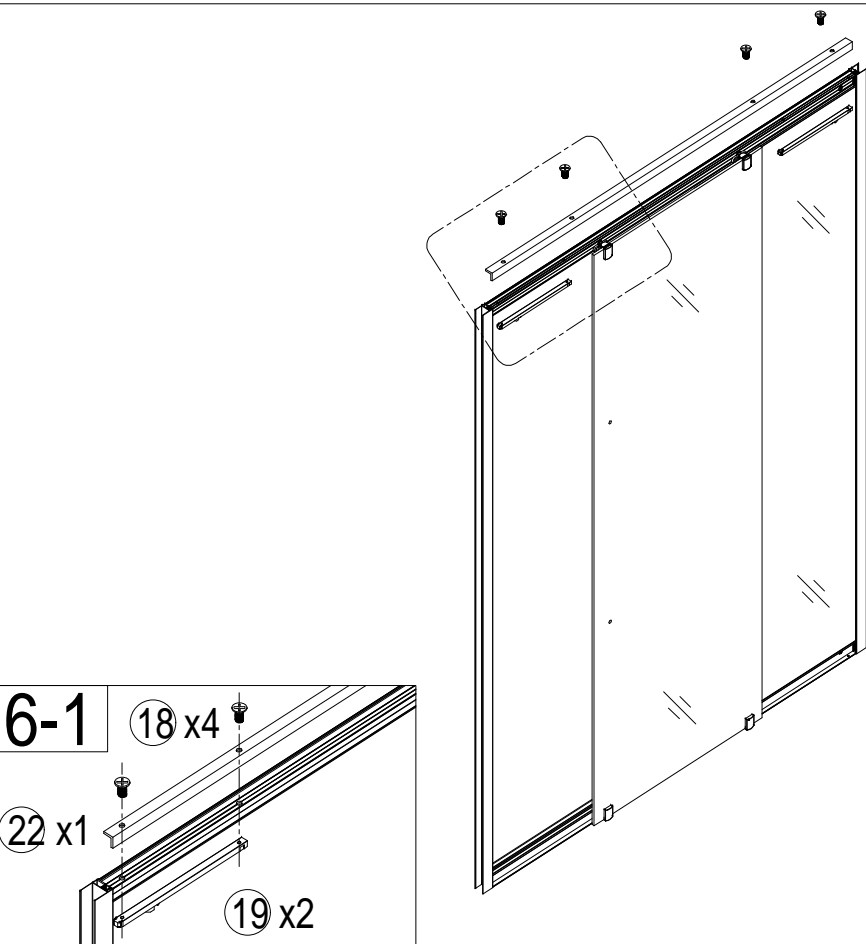
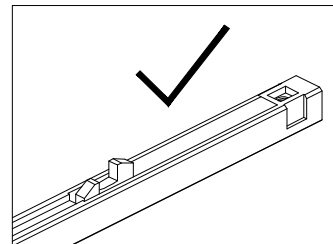
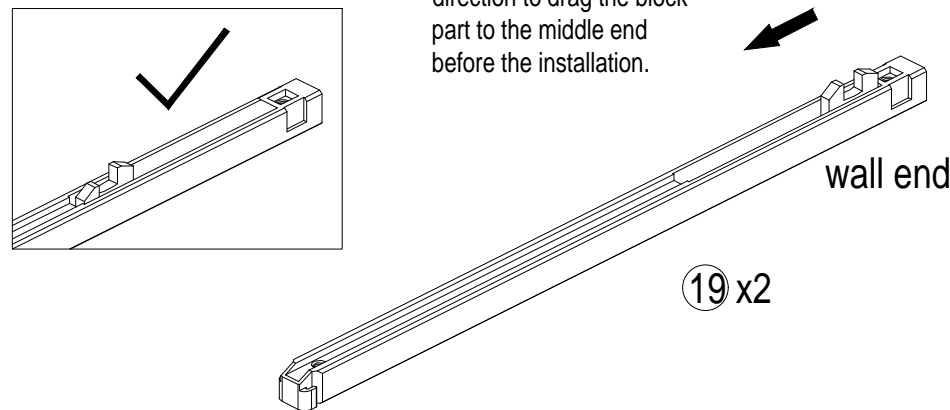
6

Pls follow the arrow direction to drag the block part to the middle end before the installation.

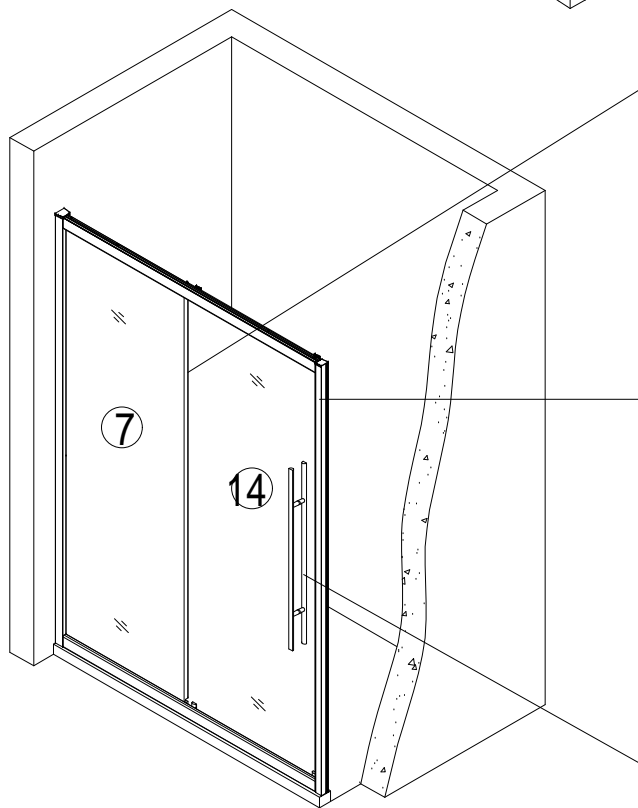
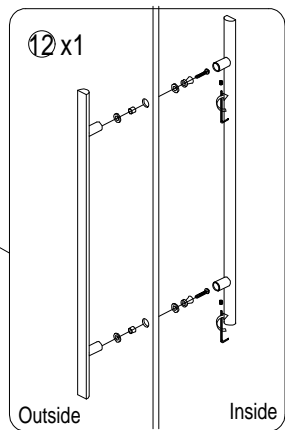
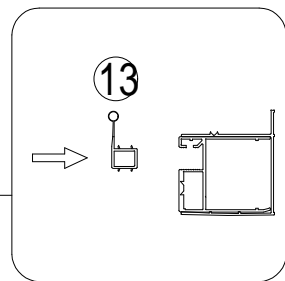
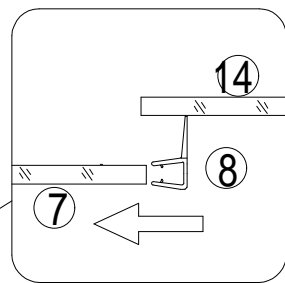
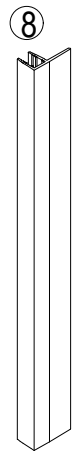


6

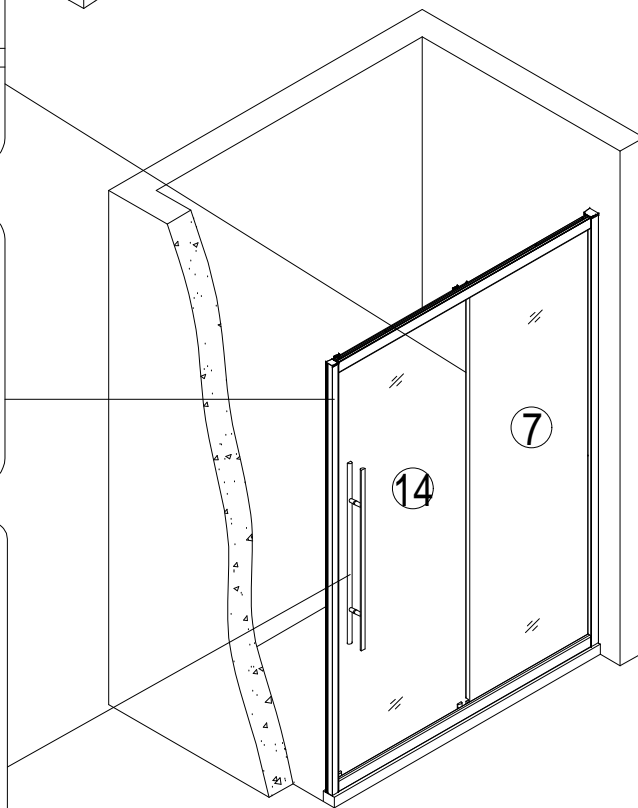
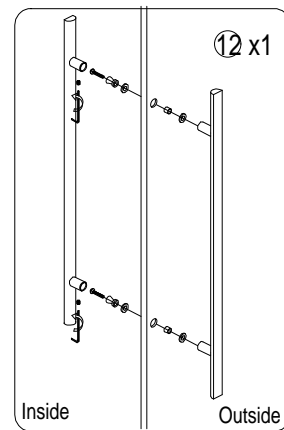
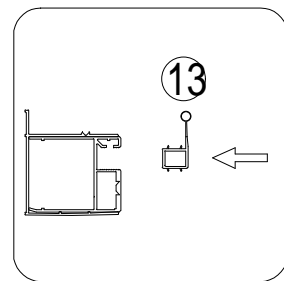
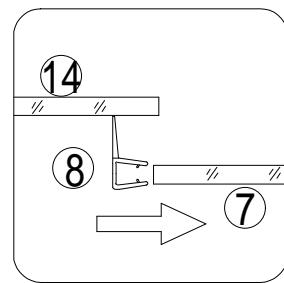
Pls follow the arrow direction to drag the block part to the middle end before the installation.



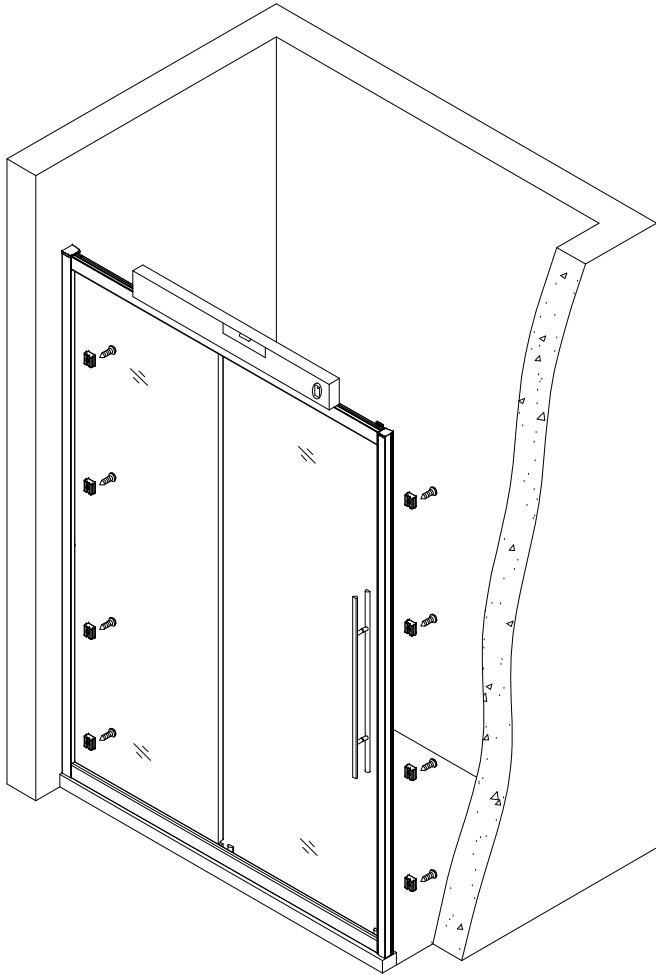
7



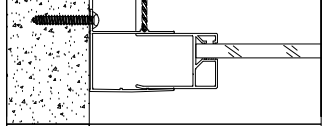
7



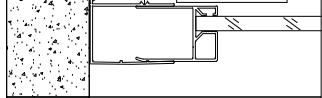
8



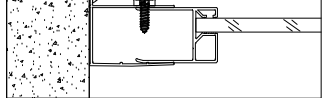
8-1 $\varnothing 3.2\text{mm}$
0-20mm



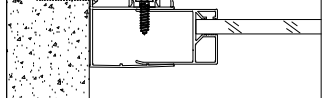
8-2 ③x8
④x8



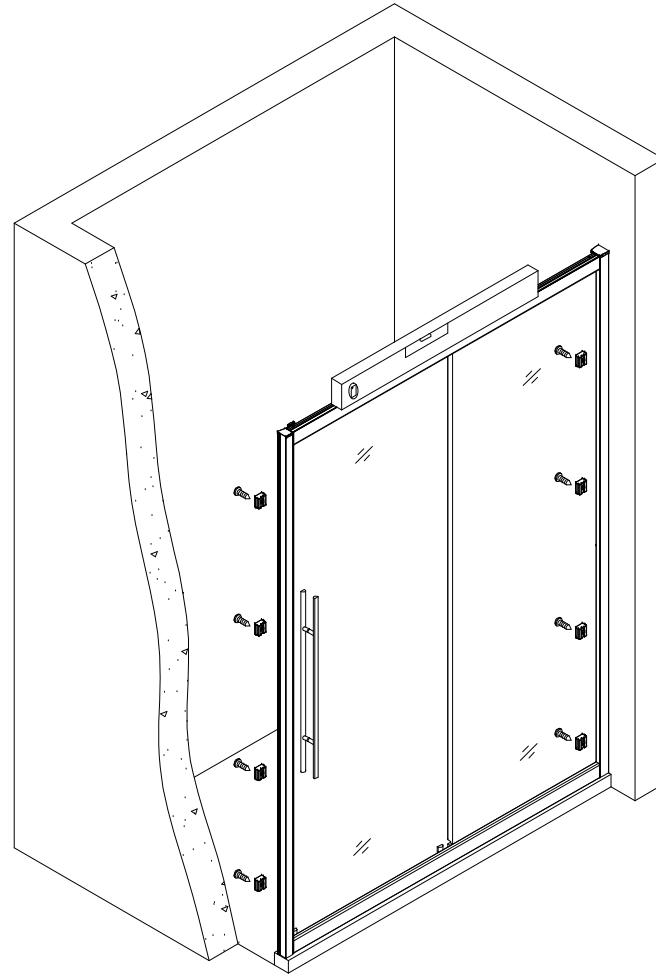
8-3 ⑥x2



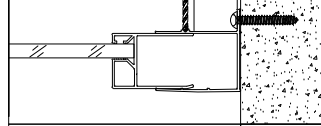
8-4



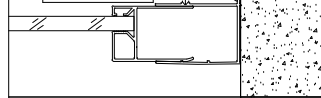
8



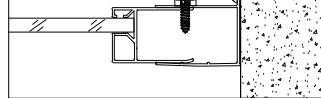
$\varnothing 3.2\text{mm}$
0-20mm 8-1



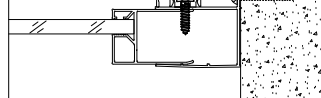
③x8 8-2
④x8

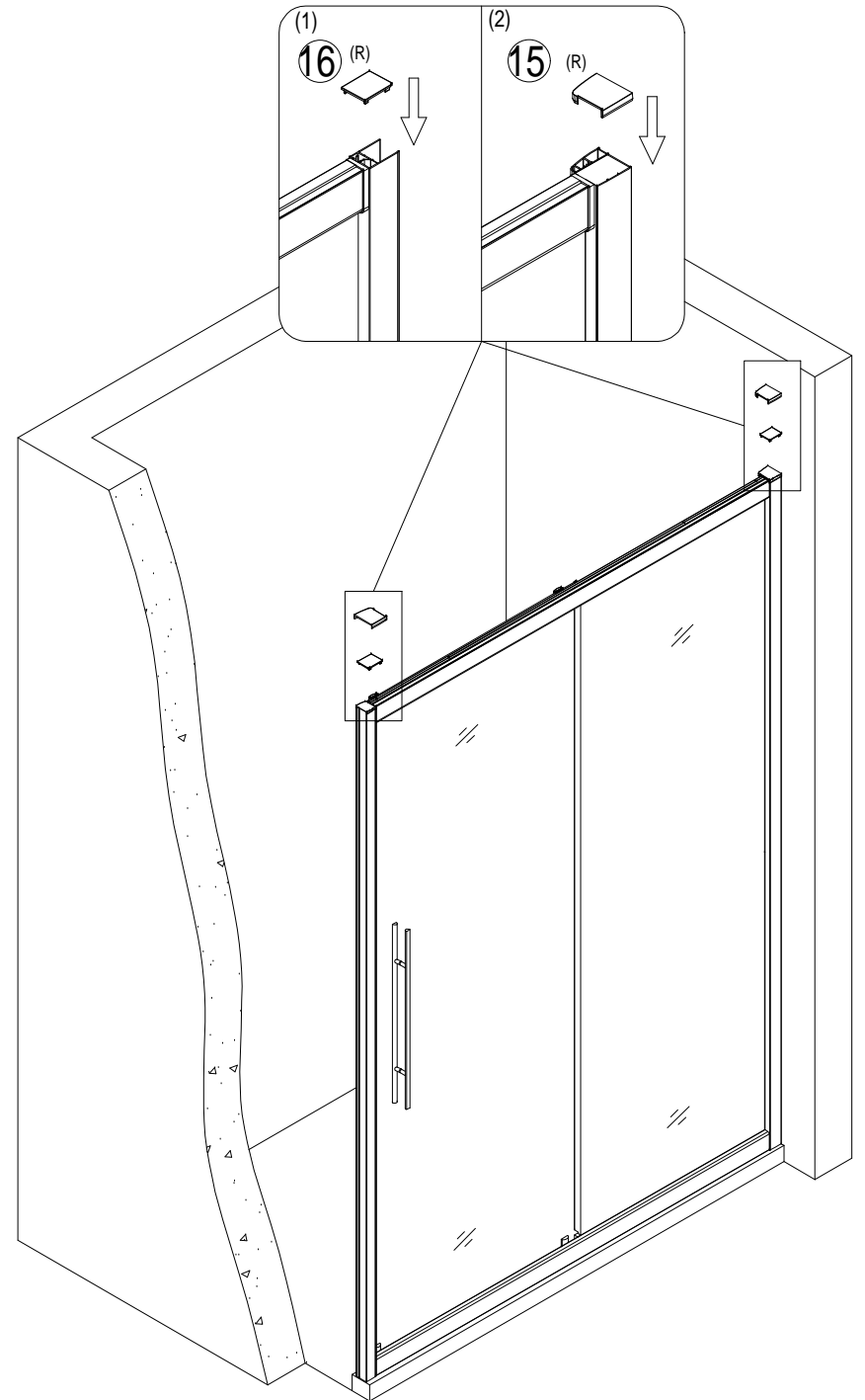
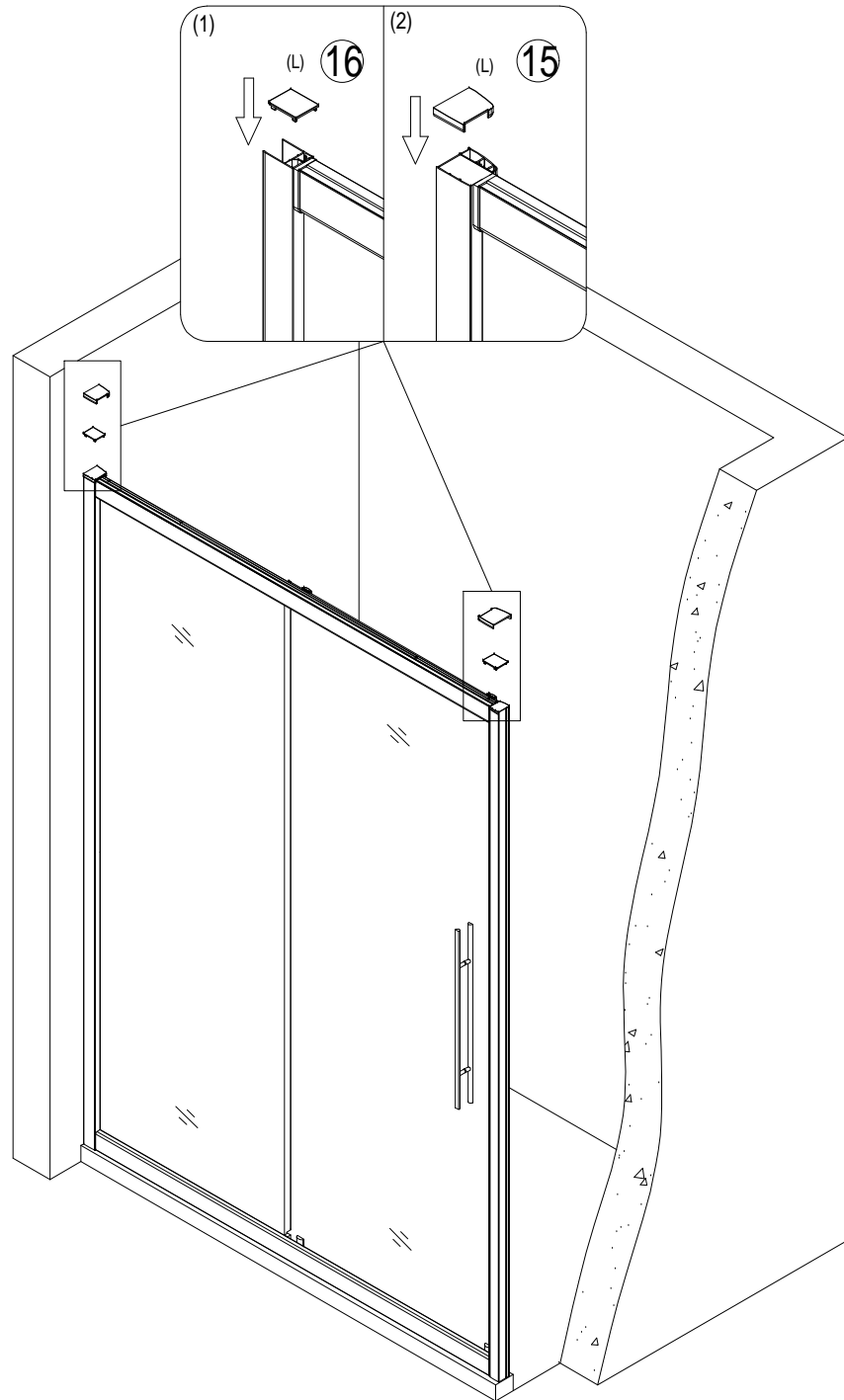


⑥x2 8-3



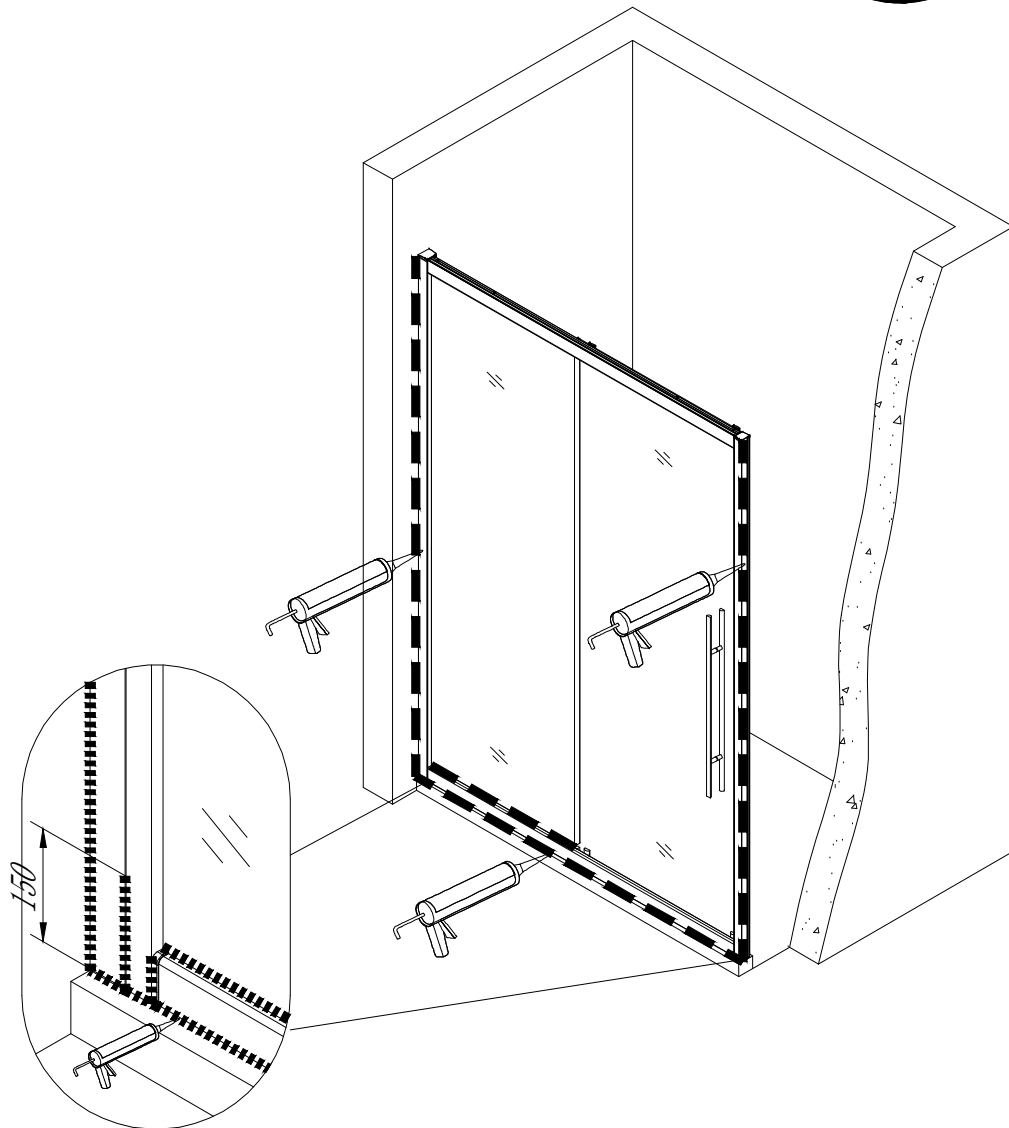
8-4





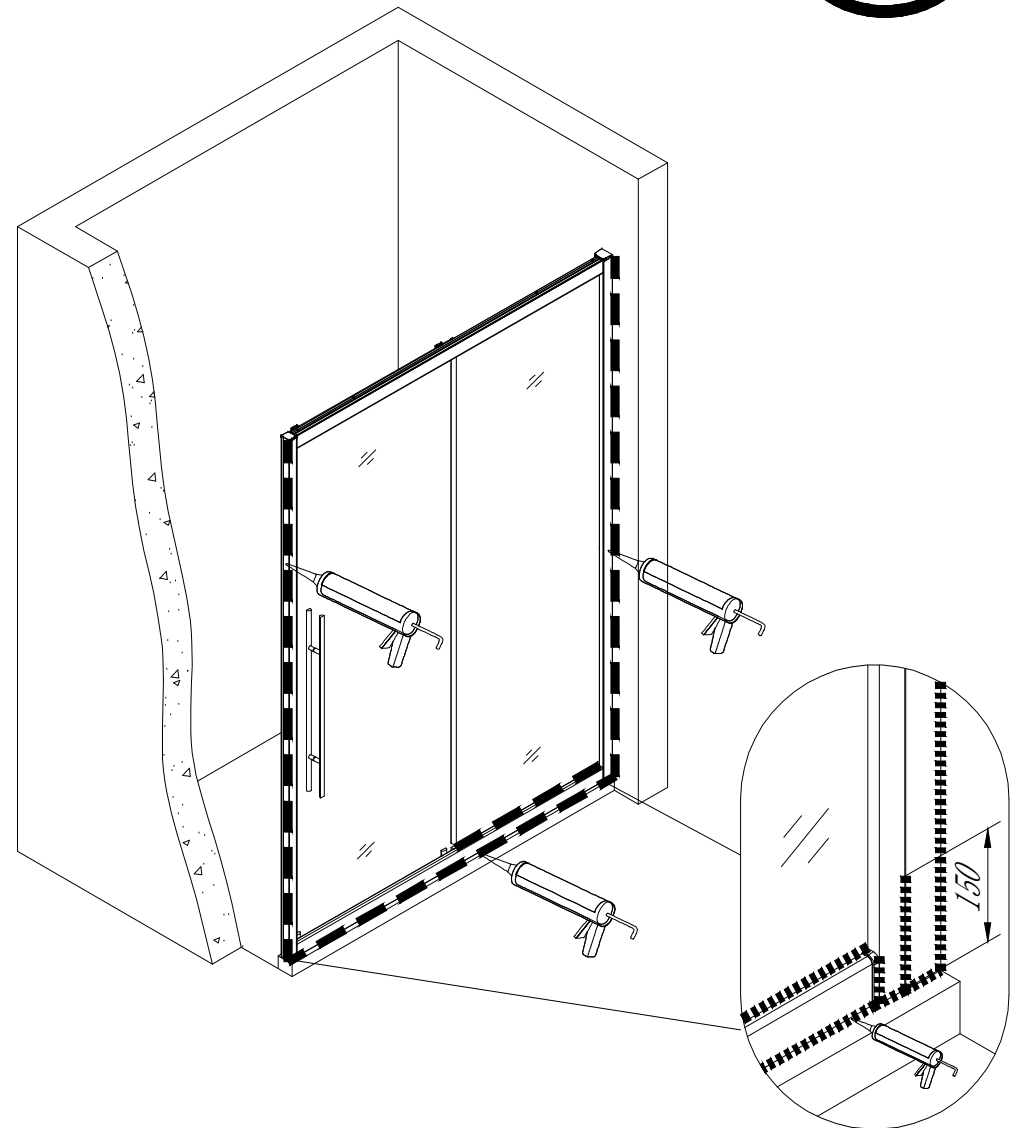
Care Instructions:

Do not use your shower enclosure within 24 hours of assembly .
Do not use caustic cleaning products or abrasive material when cleaning your shower enclosure.



Care Instructions:

Do not use your shower enclosure within 24 hours of assembly .
Do not use caustic cleaning products or abrasive material when cleaning your shower enclosure.



Eastbrook

Eastbrook Road, Gloucester GL4 3DB

Technical Helpline: 01452 317890

Email: technical@eastbrookco.com

Cleaning and Maintenance of Shower Enclosures

Do not clean the shower enclosure with irritant detergents such as alcohol, bleach or other chemical cleaners.

Only clean with mild soapy water or a proprietary cleaner where the label advises it is suitable for the materials the enclosure is constructed from. Test on a small area first.

For treating limescale we would recommend distilled vinegar in a half and half solution with water.

Following installation should you find that there is a notable noise when the glass door moves you may add a small amount of silicon lubricant onto the roller wheels and tracks, hinges or clips.

It is the responsibility of the product owner to maintain the product as recommended above. Also, to check for parts which have broken or become loose to protect against failure of the enclosure.